

602047 ✓ ACTIVE

AMPACT

TE Internal #: 602047

Wedge Connectors, AMERICAS, Wedge, ≤ 500 kV, Large

[View on TE.com >](#)



Energy & Power > Power Systems Connectors > Wedge Connectors



Wedge Connector Product Availability: **AMERICAS**

Wedge Connector Technology: **Wedge**

Wedge Connector Voltage Class: **≤ 500 kV**

AMPACT Tool Size: **Large**

Features

Product Type Features

Wedge Connector Technology	Wedge
----------------------------	-------

Configuration Features

Visual Inspection	Yes
-------------------	-----

Electrical Characteristics

Wedge Connector Voltage Class	≤ 500 kV
-------------------------------	----------

Body Features

Conductor Material	Aluminum & Copper
--------------------	-------------------

Usage Conditions

	0 – 175 °F
--	------------

Operation/Application

Application Type	Overhead
Energized Installation	Yes
Free of Lead, Cadmium, Heavy Metals	Yes

Product Availability

Wedge Connector Product Availability	AMERICAS
--------------------------------------	----------

Other

Insulated Cover	No
Cartridge Color Required	Yellow

Hot Stick Accessories	Yes
AMPACT Tool Size	Large

Product Compliance

[For compliance documentation, visit the product page on TE.com>](#)

EU RoHS Directive 2011/65/EU	Compliant
EU ELV Directive 2000/53/EC	Compliant
China RoHS 2 Directive MIIT Order No 32, 2016	No Restricted Materials Above Threshold
EU REACH Regulation (EC) No. 1907/2006	Current ECHA Candidate List: JUNE 2022 (224) Candidate List Declared Against: JAN 2021 (211) Does not contain REACH SVHC
Halogen Content	Low Halogen - Br, Cl, F, I < 900 ppm per homogenous material. Also BFR/CFR/PVC Free
Solder Process Capability	Not applicable for solder process capability

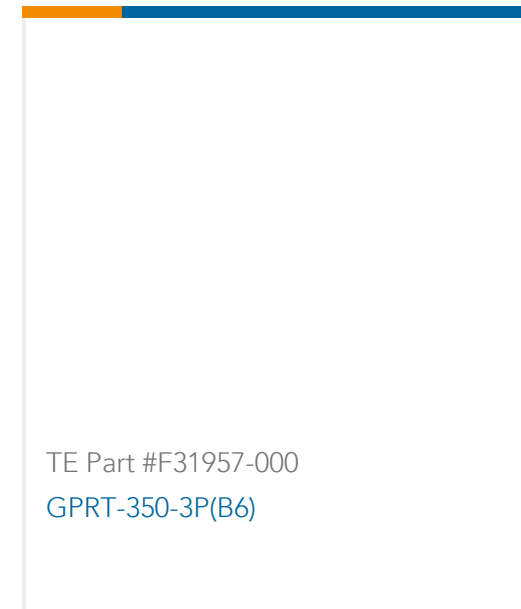
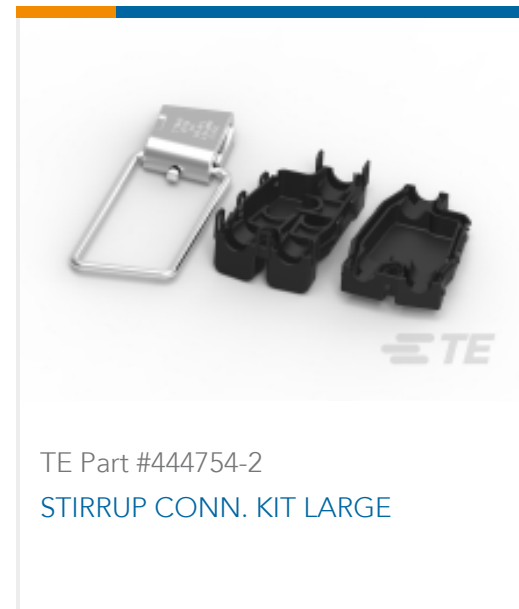
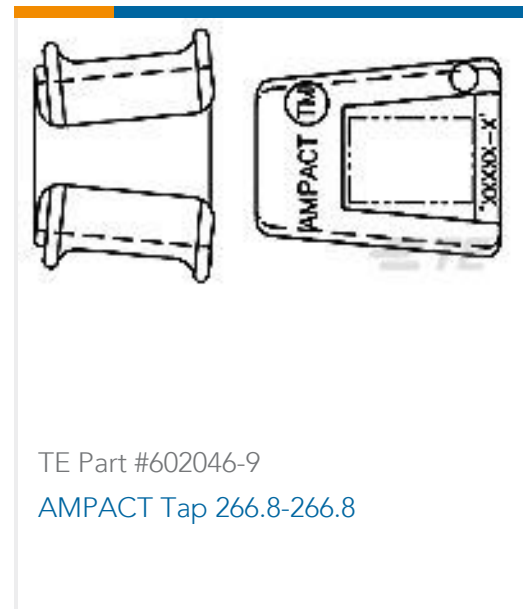
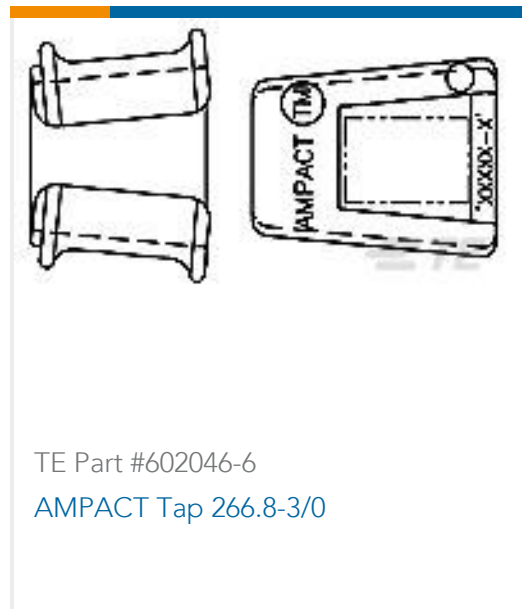
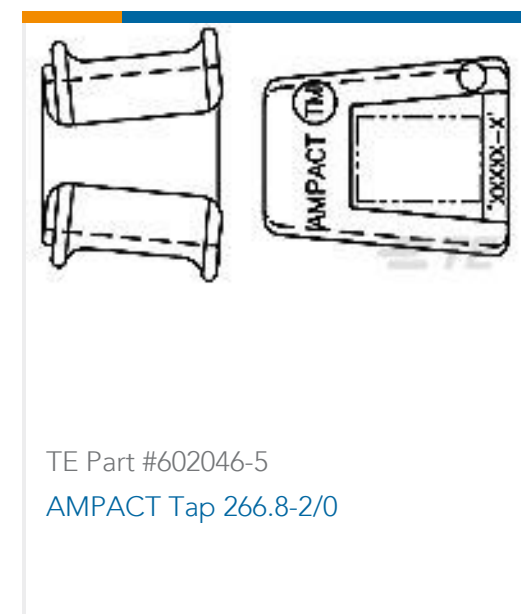
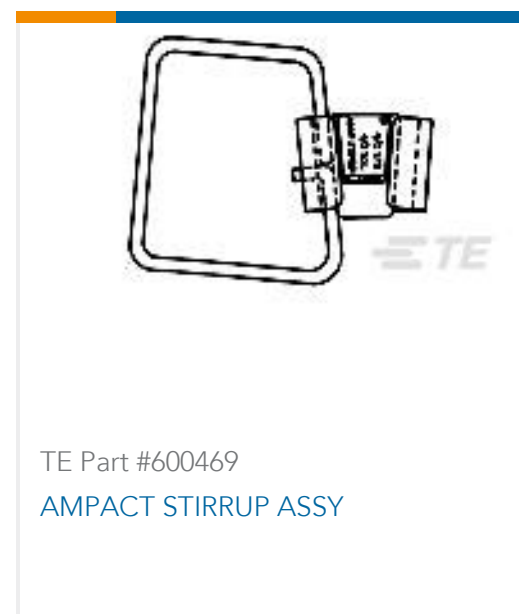
Product Compliance Disclaimer

This information is provided based on reasonable inquiry of our suppliers and represents our current actual knowledge based on the information they provided. This information is subject to change. The part numbers that TE has identified as EU RoHS compliant have a maximum concentration of 0.1% by weight in homogenous materials for lead, hexavalent chromium, mercury, PBB, PBDE, DBP, BBP, DEHP, DIBP, and 0.01% for cadmium, or qualify for an exemption to these limits as defined in the Annexes of Directive 2011/65/EU (RoHS2). Finished electrical and electronic equipment products will be CE marked as required by Directive 2011/65/EU. Components may not be CE marked. Additionally, the part numbers that TE has identified as EU ELV compliant have a maximum concentration of 0.1% by weight in homogenous materials for lead, hexavalent chromium, and mercury, and 0.01% for cadmium, or qualify for an exemption to these limits as defined in the Annexes of Directive 2000/53/EC (ELV). Regarding the REACH Regulation, the information TE provides on SVHC in articles for this part number is based on the latest European Chemicals Agency (ECHA) 'Guidance on requirements for substances in articles' posted at this URL: <https://echa.europa.eu/guidance-documents/guidance-on-reach>

Compatible Parts



Customers Also Bought



Documents

Product Drawings

[AMPACT STIRRUP ASSY](#)

English

Datasheets & Catalog Pages

[CABLE-CLAMPS-BROCHURE](#)

English